



REDDOT

FE1 6/20/25IF
FE30/35IF



Li-ion Forklift Truck
1.6/2.0/2.5/3.0/3.5T

**Electric
Forklift**

PRODUCT FEATURE

IF Series Electric Forklift

The new IF series of high-efficiency and energy-saving electric counterweight forklifts with a new structure that represents a breakthrough over the traditional design concept. The research and development of control and power systems are innovated and the product exterior, ergonomics, reliability, maintenance and other aspects are optimized, so that the performance of the vehicle is greatly improved.



- Lithium iron phosphate battery with cell safety protection device, equipped with advanced BMS power management system, effectively improve battery life, safe and reliable.
- The fast charging technology allows the lithium battery to be fully charged within 2 hours, with longer cruising range, more energy-saving and environmentally friendly.
- Maintenance-free AC drive motor without carbon brush replacement, with speed sensor and temperature sensor to ensure powerful and reliability. Maintenance-free battery does not result in heavy-metal pollution, and is green and environment-friendly.
- Rear battery pack with low center of gravity to ensure stability and smooth operation.



Multi-functional large screen LED display with graphical interface which provides great visibility and different operation modes.



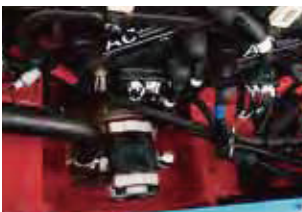
All LED lamps with Head lamps , front turn lamps , rear combination lamps, warning lamps with high brightness, low power consumption and long life cycle.



The horizontal drive axle and hydraulic transmission design to decrease the gravity, lengthen the front wheelbase to improve the stability when loading.



Complete integral forged steering axle with shock absorption system to provide the excellent driving comfort and long life cycle.



High-positioned lifting motor to improve the across ability even on shallow water-surface ground.

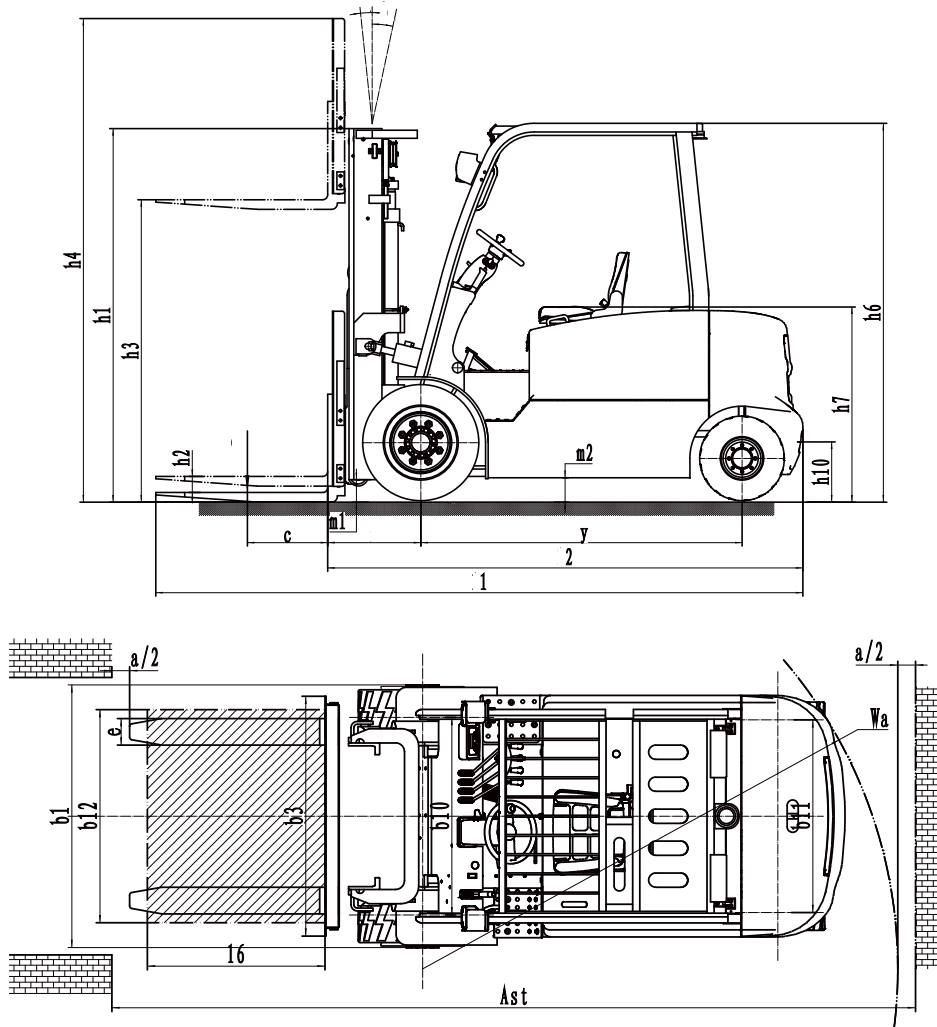


Li-ion Forklift Truck 1.6-3.5T

FE16/20/25/30/35IF

Distinguishing mark								
1.1	Manufacturer					REDDOT		
1.2	Model designation			FE16IF	FE20IF	FE25IF	FE30IF	FE35IF
1.3	Drive unit			Electrics	Electrics	Electrics	Electrics	Electrics
1.4	Operator type			Seated				
1.5	Rated capacity	Q	kg	1600	2000	2500	3000	3500
1.6	Load center distance	c	mm	500				
1.8	Load distance, centre of drive axle to fork	x	mm	381	386	478	487	492
1.9	Wheelbase	y	mm	1450	1450	1620	1700	1700
Weight								
2.1	Service weight (include battery)		kg	2940	3180	3600	4200	4620
2.2	Axle loading, laden driving wheels /steering wheels		kg	4078/462	4611/569	5500/600	6450/750	7320/800
2.3	Axle loading, unladen driving wheels /steering wheels		kg	1320/1620	1460/1720	1540/2060	1830/2370	1910/2710
Types,Chassis								
3.1	Tyre type,driving wheels /steering wheels					Pneumatic		
3.2	Tyre size, driving wheels (diameter×width)		mm	18×7-8PR	18×7-8PR	7.00-12-12PR	28×9-15-14PR	
3.3	Tyre size, steering wheels (diameter×width)		mm	5.00-8-10PR	5.00-8-10PR	6.00-9-10PR	6.50-10-10PR	
3.5	Wheels, number driving/steering (x=drive wheels)		mm	2 x/2	2 x/2	2 x/2	2 x/2	2 x/2
3.6	Tread, Driving wheels	b ₁₀	mm	980	980	973	1004	1004
3.7	Tread, Steering wheels	b ₁₁	mm	920	920	982	982	982
Dimensions								
4.1	Tilt of mast/fork carriage forward/backward	α/ β (°)		6/10	6/10	6/10	6/10	6/10
4.2	Height, mast lowered	h ₁	mm	2053	2053	2070	2070	2185
4.3	Free lift (load backrest)	h ₂	mm	130	130	135	135	140
4.4	Lift height	h ₃	mm	3000				
4.5	Height, mast extended	h ₄	mm	3982	3982	3974	4114	4114
4.7	Height of overhead guard (cabin)	h ₆	mm	2075	2075	2150	2150	2150
4.8	Seat height	h ₇	mm	1065	1065	1130	1130	1130
4.12	Tow Coupling height	h ₁₀	mm	530	530	580	580	580
4.19	Overall length	l ₁	mm	3050	3050	3568	3673	3673
4.20	Length to face of forks	l ₂	mm	2130	2130	2498	2603	2603
4.21	Overall width	b ₁	mm	1150	1150	1150	1226	
4.22	Fork dimensions	s/ e/ l	mm	35 x100 x920	40 x100x1070	40 x120 x1070	45 x125 x1070	50 x125 x1070
4.23	Fork carriage class/type A, B					A		
4.24	Fork carriage width	b ₃	mm	1040	1040	1040	1100	1100
4.31	Ground clearance, laden, below mast	m ₁	mm	98	98	135	135	135
4.32	The minimum ground clearance of frame	m ₂	mm	100	100	150	150	150
4.34.1	Aisle width for pallets 1000 × 1200 crossways	Ast	mm	3571	3576	3849	4037	4042
4.34.2	Aisle width for pallets 800 × 1200 lengthways	Ast	mm	3771	3776	3997	4237	4242
4.35	Turning radius	Wa	mm	1990	1990	2230	2350	2350
Performance data								
5.1	Travel speed, laden/ unladen		km/ h	12/13	11/13	13/14	11/12	10/11
5.2	Lifting speed, laden/ unladen		m/ s	0.27/0.35	0.25/0.35	0.26/0.34	0.26/0.34	0.25/0.33
5.3	Lowering speed, laden/ unladen		m/ s	0.52/0.42	0.52/0.42		<0.6	
5.5	Max. drawbar pull, laden/unladen (time)		N	—	—	3100/2100	3500/2500	3800/2800
5.6	Max. gradeability, laden/unladen		%	12/15	12/15	15/15	15/15	13/15
5.10	Service brake type			Hydraulic				
5.11	park brake type			Mechanical				
Electric-engine								
6.1	Drive motor rating S2 60 min		kW	7	7	11	11	11
6.2	Lift motor rating at S3 15%		kW	8.6	8.6	16	16	16
6.3	Battery voltage/nominal capacity K5		V/ Ah	Li48/200	Li48/200	Li80/200	Li80/200	Li80/300
6.4	Battery weight		kg	145	145	200	250	250
Addition data								
8.1	Type of drive unit			AC				
10.5	Sound pressure level at the driver's ear			72	72	74	74	75

If there are improvements of technical parameters or configurations, no further notice will be given.
The diagram shown may contain non-standard configurations.



Mast Option FE16/20IF

Typ	Model	Max. fork height mm	Overall height		Free lift mm	Tilt range		Capacity	
			Lowered mm	Extended mm		FWD Deg	BWD Deg	Load capacity at 500 mm Single tire	
								FE16IF kg	FE20IF kg
Two-stage ZT	2W250	2500	1803	3482	110	6	10	1600	2000
	2W270	2700	1903	3682	110	6	10	1600	2000
	2W300	3000	2053	3982	110	6	10	1600	2000
	2W330	3300	2203	4282	110	6	10	1600	2000
	2W350	3500	2303	4482	110	6	10	1600	2000
	2W370	3700	2403	4682	110	6	10	1600	1900
	2W400	4000	2603	4982	110	6	6	1500	1800
	2W430	4300	2753	5282	110	6	6	1400	1600
	2W450	4500	2853	5482	110	6	6	1350	1500
2W500	5000	3128	5982	110	6	6	900	1100	
Two-stage ZZ	2F250	2500	1803	3482	853	6	10	1600	2000
	2F270	2700	1903	3682	953	6	10	1600	2000
	2F300	3000	2053	3982	1103	6	10	1600	2000
	2F330	3300	2203	4282	1253	6	10	1600	2000
	2F350	3500	2303	4482	1353	6	10	1600	2000
	2F370	3700	2403	4682	1453	6	10	1600	1900
	2F400	4000	2603	4982	1653	6	6	1500	1800
Three-stage DZ	3F400	4000	1978	4981	1029	6	6	1500	1800
	3F430	4300	2103	5330	1153	6	6	1400	1600
	3F450	4500	2153	5480	1203	6	6	1300	1500
	3F480	4800	2253	5780	1303	6	6	1000	1200
	3F500	5000	2353	5980	1403	6	6	900	1100
	3F550	5500	2503	6480	1603	3	6	800	900

Free list +340mm if without backrest.

Extended mast height reduce 340mm if without backrest.

Mast Option FE25IF

Tpy	Model	Max.fork height	Overall height		Free lift	Tilt range		Capacity	
			Lowered	Extended		FWD	BWD	Load capacity at 500 mm	
				With backrest				Single tire	
								FE25IF	
mm	mm	mm	mm	Deg	Deg	kg			
Two-stage ZT	2W200	2000	1570	2974	135	6	10	2500	
	2W250	2500	1820	3474	135	6	10	2500	
	2W300	3000	2070	3974	135	6	10	2500	
	2W330	3300	2220	4274	135	6	10	2500	
	2W350	3500	2320	4474	135	6	10	2500	
	2W360	3600	2370	4574	135	6	10	2500	
	2W370	3700	2420	4674	135	6	10	2500	
	2W400	4000	2620	4974	135	6	6	2450	
	2W430	4300	2770	5274	135	6	6	2300	
	2W450	4500	2870	5474	135	6	6	2100	
2W500	5000	3120	5974	135	6	6	1850		
Two-stage ZZ	2F200	2000	1570	2968	631	6	10	2500	
	2F250	2500	1820	3468	881	6	10	2500	
	2F300	3000	2070	3968	1131	6	10	2500	
	2F330	3300	2220	4268	1281	6	10	2500	
	2F350	3500	2320	4468	1381	6	10	2500	
	2F360	3600	2370	4568	1431	6	10	2500	
	2F370	3700	2420	4668	1481	6	6	2500	
	2F400	4000	2620	4968	1681	6	6	2400	
Three-stage DZ	3F400	4000	1985	4978	1056	6	6	2350	
	3F430	4350	2150	5328	1181	6	6	2200	
	3F450	4500	2155	5476	1231	6	6	2000	
	3F480	4800	2255	5776	1331	6	6	1900	
	3F500	5000	2398	5976	1474	6	6	1700	
	3F550	5500	2647	6476	1708	3	6	1400	
	3F600	6000	2865	6976	1941	3	6	950	
	3F650	6500	3098	7476	2174	3	3	700	

Free list +425mm if without backrest.

Extended mast height reduce 425mm if without backrest.

Mast Option FE30IF

Tpy	Model	Max.fork height	Overall height		Free lift	Tilt range		Capacity	
			Lowered	Extended		FWD	BWD	Load capacity at 500 mm	
				With backrest				Single tire	
								FE30IF	
mm	mm	mm	mm	Deg	Deg	kg			
Two-stage ZT	2W200	2000	1570	3114	135	6	10	3000	
	2W250	2500	1820	3614	135	6	10	3000	
	2W300	3000	2070	4114	135	6	10	3000	
	2W330	3300	2220	4414	135	6	10	3000	
	2W350	3500	2320	4614	135	6	10	3000	
	2W360	3600	2370	4714	135	6	10	3000	
	2W370	3700	2420	4814	135	6	10	3000	
	2W400	4000	2620	5114	135	6	6	2950	
	2W430	4300	2770	5414	135	6	6	2850	
	2W450	4500	2870	5614	135	6	6	2600	
2W500	5000	3120	6114	135	6	6	2400		
Two-stage ZZ	2F200	2000	1545	2971	563	6	10	3000	
	2F250	2500	1795	3471	813	6	10	3000	
	2F300	3000	2045	3971	1063	6	10	3000	
	2F330	3300	2195	4271	1213	6	10	3000	
	2F350	3500	2295	4471	1313	6	10	3000	
	2F360	3600	2345	4571	1363	6	10	3000	
	2F370	3700	2395	4671	1413	6	6	3000	
	2F400	4000	2595	4971	1613	6	6	2950	
Three-stage DZ	3F400	4000	1970	4981	988	6	6	2900	
	3F430	4300	2095	5331	1113	6	6	2700	
	3F450	4500	2145	5479	1163	6	6	2600	
	3F480	4800	2245	5779	1263	6	6	2400	
	3F500	5000	2388	5979	1406	6	6	2300	
	3F550	5500	2622	6479	1640	3	6	1800	
	3F600	6000	2855	6979	1873	3	6	1400	
	3F650	6500	3088	7479	2107	3	3	800	

Free list +425mm if without backrest.

Extended mast height reduce 4250mm if without backrest.

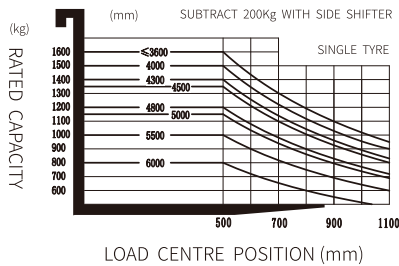
Mast Option FE35IF

Tpy	Model	Max.fork height mm	Overall height		Free lift mm	Tilt range		Capacity
			Lowered mm	Extended With backrest mm		FWD Deg	BWD Deg	Load capacity at 500 mm
								Single tyre
								FE35IF kg
Two-stage ZT	2W200	2000	1680	2786	140	6	10	3500
	2W250	2500	1930	3286	140	6	10	3500
	2W300	3000	2180	3786	140	6	10	3500
	2W330	3300	2330	4086	140	6	10	3500
	2W350	3500	2430	4286	140	6	10	3500
	2W360	3600	2480	4386	140	6	10	3500
	2W370	3700	2530	4486	140	6	10	3500
	2W400	4000	2730	4786	140	6	6	3300
	2W430	4300	2880	5086	140	6	6	3250
	2W450	4500	2980	5286	140	6	6	3100
2W500	5000	3230	5786	140	6	6	2650	
Two-stage ZZ	2F200	2000	1570	2971	491	6	10	3500
	2F250	2500	1820	3471	741	6	10	3500
	2F300	3000	2070	3971	991	6	10	3500
	2F330	3300	2220	4271	1141	6	10	3500
	2F350	3500	2320	4471	1241	6	10	3500
	2F360	3600	2370	4571	1291	6	10	3500
	2F370	3700	2420	4671	1341	6	6	3450
	2F400	4000	2620	4971	1541	6	6	3300
Three-stage DZ	3F400	4000	1970	4981	916	6	6	3250
	3F430	4300	2095	5331	1041	6	6	3150
	3F450	4500	2145	5479	1091	6	6	3000
	3F480	4800	2245	5779	1191	6	6	2800
	3F500	5000	2388	5979	1334	6	6	2650
	3F550	5500	2622	6479	1568	3	6	2200
	3F600	6000	2855	6979	1801	3	6	1500
	3F650	6500	3088	7479	2034	3	3	900

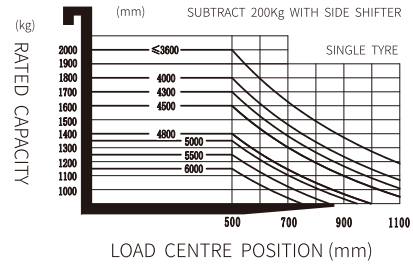
Free list +460mm if without backrest.

Extended mast height reduce 460mm if without backrest.

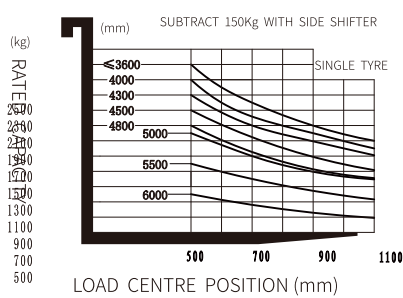
RATED CAPACITIES AND LOAD CENTERS GRAPH



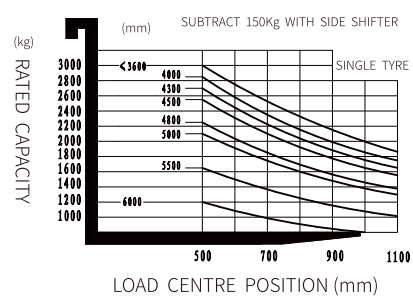
RATED CAPACITIES AND LOAD CENTERS GRAPH



RATED CAPACITIES AND LOAD CENTERS GRAPH



RATED CAPACITIES AND LOAD CENTERS GRAPH



RATED CAPACITIES AND LOAD CENTERS GRAPH

